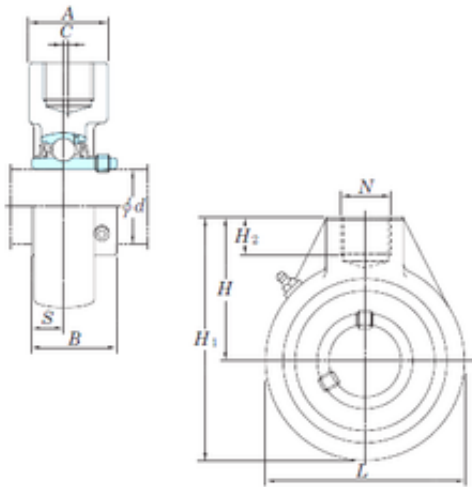


KOYO UCHA209-26 Unidad De Rodamiento

Bearing No. UCHA209-26



UCHA209-26 Bearing 2D drawings and 3D CAD models

Bore Diameter	41,275 mm
Width	49,2 mm
d	41,275 mm
A	48 mm
B	49,2 mm
C	5 mm
H	82 mm
H1	136 mm
H2	21 mm
L	108 mm
S	19 mm
Bolt (G)	PF 1
Weight	1,7 Kg
Basic dynamic load rating (C)	34,1 kN
Basic static load rating (C0)	21,3 kN